

# TVS Diodes

Transient Voltage Suppressor Diodes

## ESD112-B1-02 Series

Bi-directional Ultra-low Capacitance ESD / Transient Protection Diode

ESD112-B1-02ELS  
ESD112-B1-02EL

## Data Sheet

Rev. 1.3, 2013-11-27  
Final

Power Management & Multimarket

**Revision History: Rev.1.2, 2013-06-10**

Page or Item	Subjects (major changes since previous revision)
<b>Rev. 1.3, 2013-11-27: Final Data Sheet</b>	
	ESD112-B1-02EL Status change to final

**Trademarks of Infineon Technologies AG**

AURIX™, BlueMoon™, C166™, CanPAK™, CIPOS™, CIPURSE™, COMNEON™, EconoPACK™, CoolMOS™, CoolSET™, CORECONTROL™, CROSSAVE™, DAVE™, EasyPIM™, EconoBRIDGE™, EconoDUAL™, EconoPIM™, EiceDRIVER™, eupec™, FCOS™, HITFET™, HybridPACK™, I<sup>2</sup>RF™, ISOFACE™, IsoPACK™, MIPAQ™, ModSTACK™, my-d™, NovalithIC™, OmniTune™, OptiMOS™, ORIGA™, PRIMARION™, PrimePACK™, PrimeSTACK™, PRO-SIL™, PROFET™, RASIC™, ReverSave™, SatRIC™, SIEGET™, SINDRION™, SIPMOS™, SMARTi™, SmartLEWIS™, SOLID FLASH™, TEMPFET™, thinQ!™, TRENCHSTOP™, TriCore™, X-GOLD™, X-PMU™, XMM™, XPOSYS™.

**Other Trademarks**

Advance Design System™ (ADS) of Agilent Technologies, AMBA™, ARM™, MULTI-ICE™, KEIL™, PRIMECELL™, REALVIEW™, THUMB™, μVision™ of ARM Limited, UK. AUTOSAR™ is licensed by AUTOSAR development partnership. Bluetooth™ of Bluetooth SIG Inc. CAT-ig™ of DECT Forum. COLOSSUS™, FirstGPS™ of Trimble Navigation Ltd. EMV™ of EMVCo, LLC (Visa Holdings Inc.). EPCOS™ of Epcos AG. FLEXGO™ of Microsoft Corporation. FlexRay™ is licensed by FlexRay Consortium. HYPERTERMINAL™ of Hilgraeve Incorporated. IEC™ of Commission Electrotechnique Internationale. IrDA™ of Infrared Data Association Corporation. ISO™ of INTERNATIONAL ORGANIZATION FOR STANDARDIZATION. MATLAB™ of MathWorks, Inc. MAXIM™ of Maxim Integrated Products, Inc. MICROTEC™, NUCLEUS™ of Mentor Graphics Corporation. Mifare™ of NXP. MIPI™ of MIPI Alliance, Inc. MIPS™ of MIPS Technologies, Inc., USA. muRata™ of MURATA MANUFACTURING CO., MICROWAVE OFFICE™ (MWO) of Applied Wave Research Inc., OmniVision™ of OmniVision Technologies, Inc. Openwave™ Openwave Systems Inc. RED HAT™ Red Hat, Inc. RFMD™ RF Micro Devices, Inc. SIRIUS™ of Sirius Satellite Radio Inc. SOLARIS™ of Sun Microsystems, Inc. SPANSION™ of Spansion LLC Ltd. Symbian™ of Symbian Software Limited. TAIYO YUDEN™ of Taiyo Yuden Co. TEAKLITE™ of CEVA, Inc. TEKTRONIX™ of Tektronix Inc. TOKO™ of TOKO KABUSHIKI KAISHA TA. UNIX™ of X/Open Company Limited. VERILOG™, PALLADIUM™ of Cadence Design Systems, Inc. VLYNQ™ of Texas Instruments Incorporated. VXWORKS™, WIND RIVER™ of WIND RIVER SYSTEMS, INC. ZETEX™ of Diodes Zetex Limited.

Last Trademarks Update 2010-10-26

# 1 Bi-directional Ultra-low Capacitance ESD / Transient Protection Diode

## 1.1 Features

- ESD / transient protection of RF signal lines according to:
  - IEC61000-4-2 (ESD):  $\pm 20$  kV (air/contact)
  - IEC61000-4-4 (EFT):  $\pm 40$  A (5/50 ns)
  - IEC61000-4-5 (surge):  $\pm 3$  A (8/20  $\mu$ s)
- Maximum working voltage:  $V_{RWM} \pm 5.3$  V
- Extremely low capacitance:  $C_L = 0.2$  pF (typical)
- Low clamping voltage:  $V_{CL} = 29$  V (typical) at  $I_{PP} = 16$  A
- Very low reverse current  $I_R < 1$  nA typ.
- Very small form factor down to  $0.62 \times 0.32 \times 0.31$  mm<sup>3</sup>
- Pb-free (RoHS compliant) and halogen free package



## 1.2 Application Examples

- ESD protection of sensitive RF signal lines, Bluetooth Class 2, Automated Meter Reading
- RF antenna protection, frontend module, GPS, mobile TV, FM radio, UWB

## 1.3 Product Description

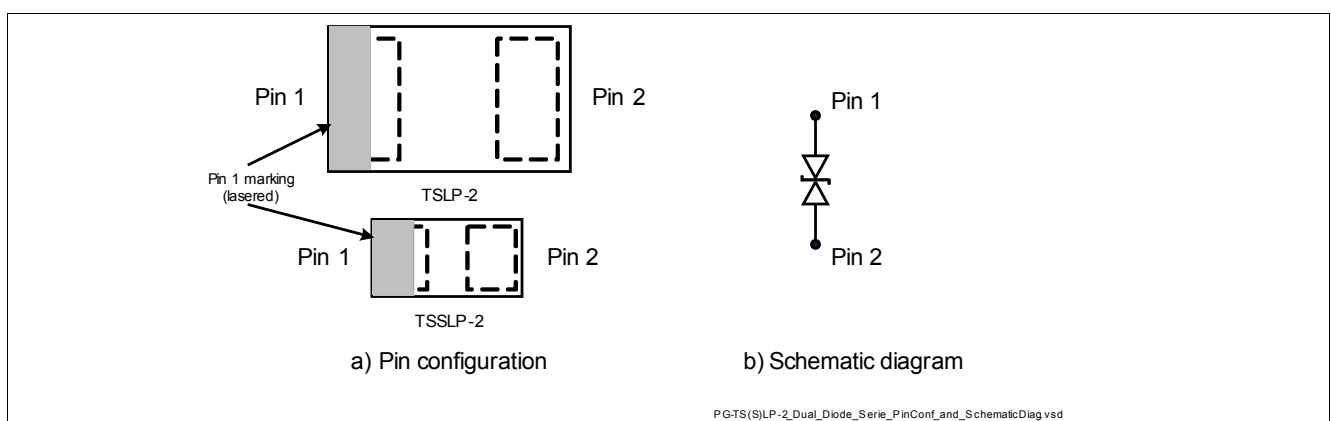


Figure 1-1 Pin Configuration and Schematic Diagram

Table 1-1 Ordering Information

Type	Package	Configuration	Marking code
ESD112-B1-02ELS	TSSLP-2-4	1 line, bi-directional	<u>I</u>
ESD112-B1-02EL	TSLP-2-20	1 line, bi-directional	TE

## 2 Characteristics

**Table 2-1 Maximum Ratings at  $T_A = 25\text{ }^\circ\text{C}$ , unless otherwise specified**

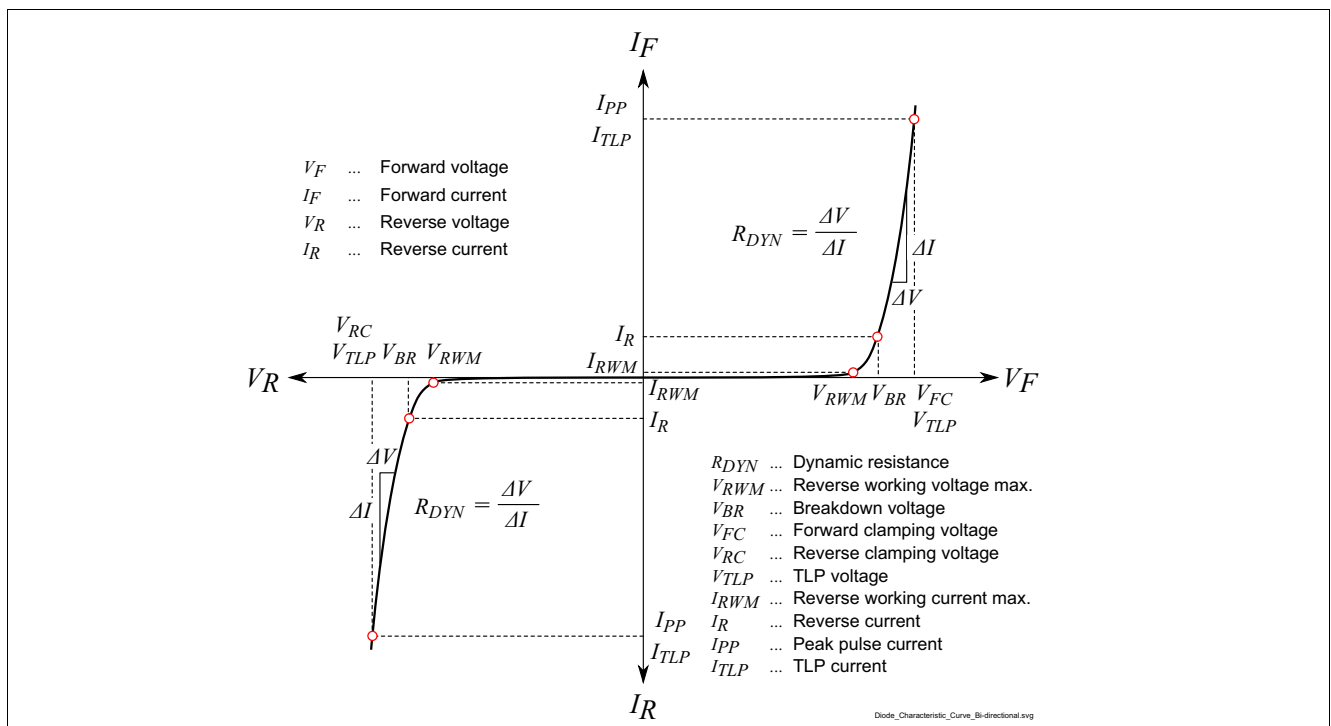
Parameter	Symbol	Values			Unit
		Min.	Typ.	Max.	
ESD air / contact discharge <sup>1)</sup>	$V_{ESD}$	-20	–	20	kV
Peak pulse current ( $t_p = 8/20\ \mu\text{s}$ ) <sup>2)</sup>	$I_{PP}$	-3	–	3	A
Operating temperature range	$T_{OP}$	-55	–	125	$^\circ\text{C}$
Storage temperature	$T_{stg}$	-65	–	150	$^\circ\text{C}$

1)  $V_{ESD}$  according to IEC61000-4-2

2)  $I_{PP}$  according to IEC61000-4-5

**Attention: Stresses above the max. values listed here may cause permanent damage to the device. Exposure to absolute maximum rating conditions for extended periods may affect device reliability. Maximum ratings are absolute ratings; exceeding only one of these values may cause irreversible damage to the integrated circuit.**

### 2.1 Electrical Characteristics at $T_A=25\text{ }^\circ\text{C}$ , unless otherwise specified



**Figure 2-1 Definitions of electrical characteristics**

**Characteristics**
**Table 2-2 DC Characteristics at  $T_A = 25\text{ }^\circ\text{C}$ , unless otherwise specified**

Parameter	Symbol	Values			Unit	Note / Test Condition
		Min.	Typ.	Max.		
Reverse working voltage	$V_{RWM}$	-5.3	-	5.3	V	
Breakdown voltage	$V_{BR}$	7	-	-	V	$I_R = 1\text{ mA}$ , from pin 1 to pin 2, from pin 2 to pin 1
Reverse current	$I_R$	-	<1	50	nA	$V_R = 5.3\text{ V}$

**Table 2-3 RF Characteristics at  $T_A = 25\text{ }^\circ\text{C}$ , unless otherwise specified**

Parameter	Symbol	Values			Unit	Note / Test Condition
		Min.	Typ.	Max.		
Diode capacitance	$C_L$	-	0.23	0.4	pF	$V_R = 0\text{ V}, f = 1\text{ MHz}$
		-	0.2	0.4		$V_R = 0\text{ V}, f = 1\text{ GHz}$
Series inductance	$L_S$	-	0.2	-	nH	ESD112-B1-02ELS
		-	0.4	-		ESD112-B1-02EL

**Table 2-4 ESD Characteristics at  $T_A = 25\text{ }^\circ\text{C}$ , unless otherwise specified**

Parameter	Symbol	Values			Unit	Note / Test Condition
		Min.	Typ.	Max.		
Clamping voltage <sup>2)</sup>	$V_{CL}$	-	29	-	V	$I_{TLP} = 16\text{ A}$
		-	44	-		$I_{TLP} = 30\text{ A}$
Clamping voltage <sup>1)</sup>		-	11	17		$I_{PP} = 1\text{ A}$
		-	15	21		$I_{PP} = 3\text{ A}$
Dynamic resistance <sup>2)</sup>	$R_{DYN}$	-	1	-	$\Omega$	

1)  $I_{PP}$  according to IEC61000-4-5 ( $t_p = 8/20\text{ }\mu\text{s}$ )

2) Please refer to Application Note AN210 [4]. TLP parameter:  $Z_0 = 50\text{ }\Omega$ ,  $t_p = 100\text{ ns}$ ,  $t_r = 300\text{ ps}$ , averaging window:  $t_1 = 30\text{ ns}$  to  $t_2 = 60\text{ ns}$ , extraction of dynamic resistance using least squares fit of TLP characteristics between  $I_{TLP1} = 10\text{ A}$  and  $I_{TLP2} = 40\text{ A}$ .

2.2 Typical Characteristics at  $T_A = 25\text{ }^\circ\text{C}$ , unless otherwise specified

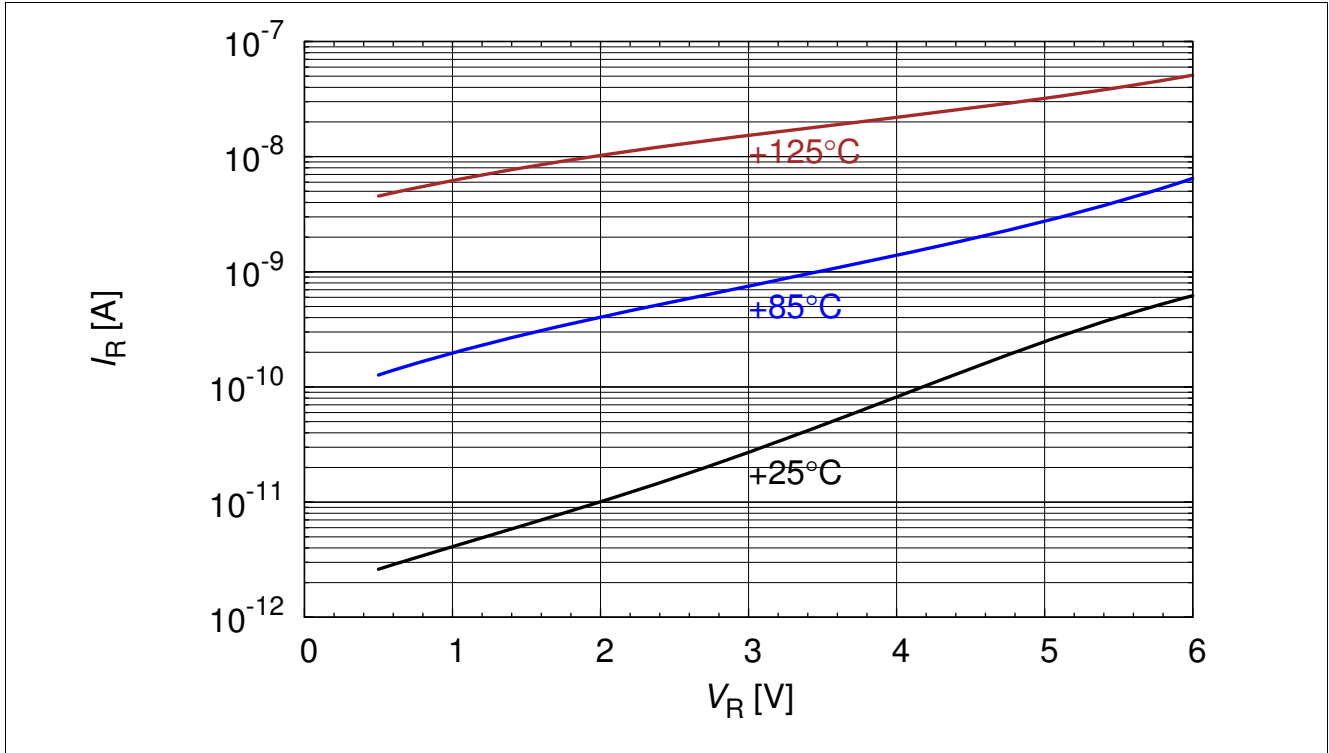


Figure 2-2 Reverse current:  $I_R = f(V_R)$ ,  $T_A = \text{parameter}$

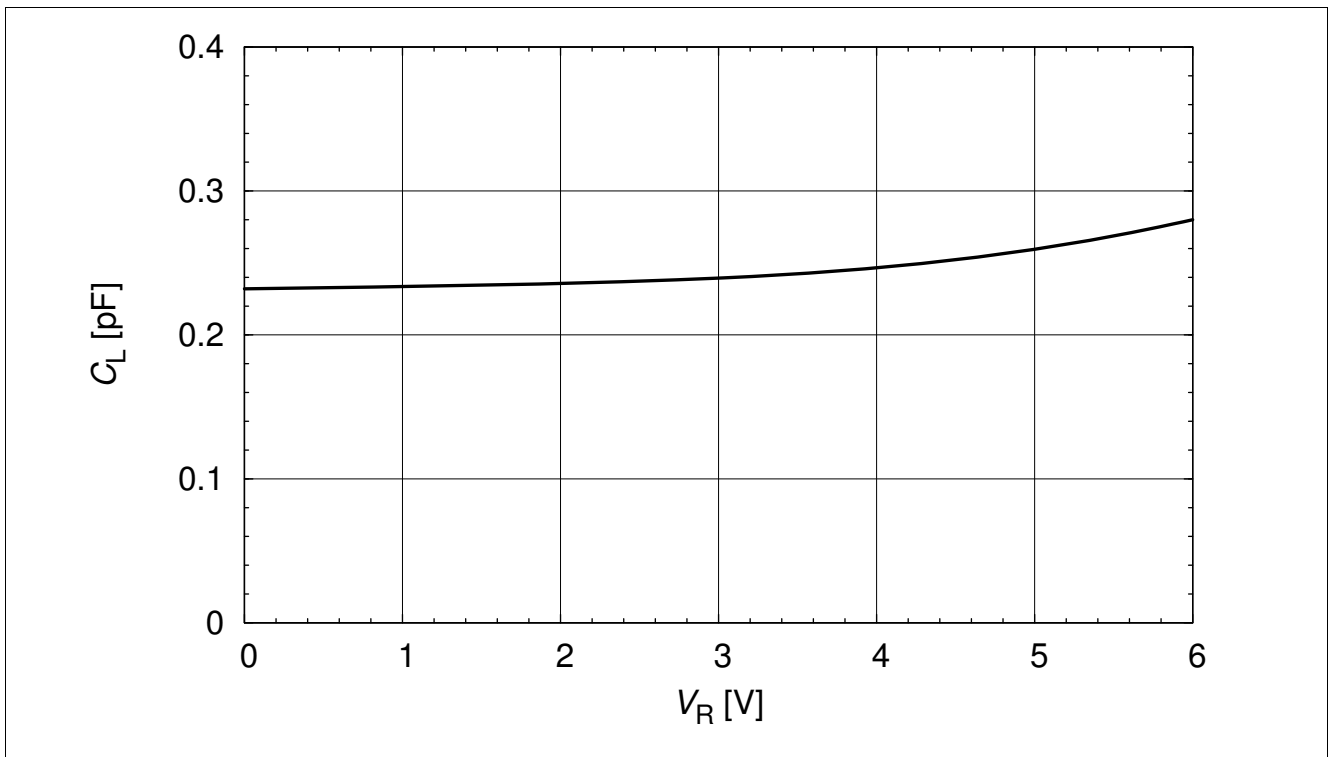


Figure 2-3 Line capacitance:  $C_L = f(V_R)$ ,  $f = 1\text{ MHz}$

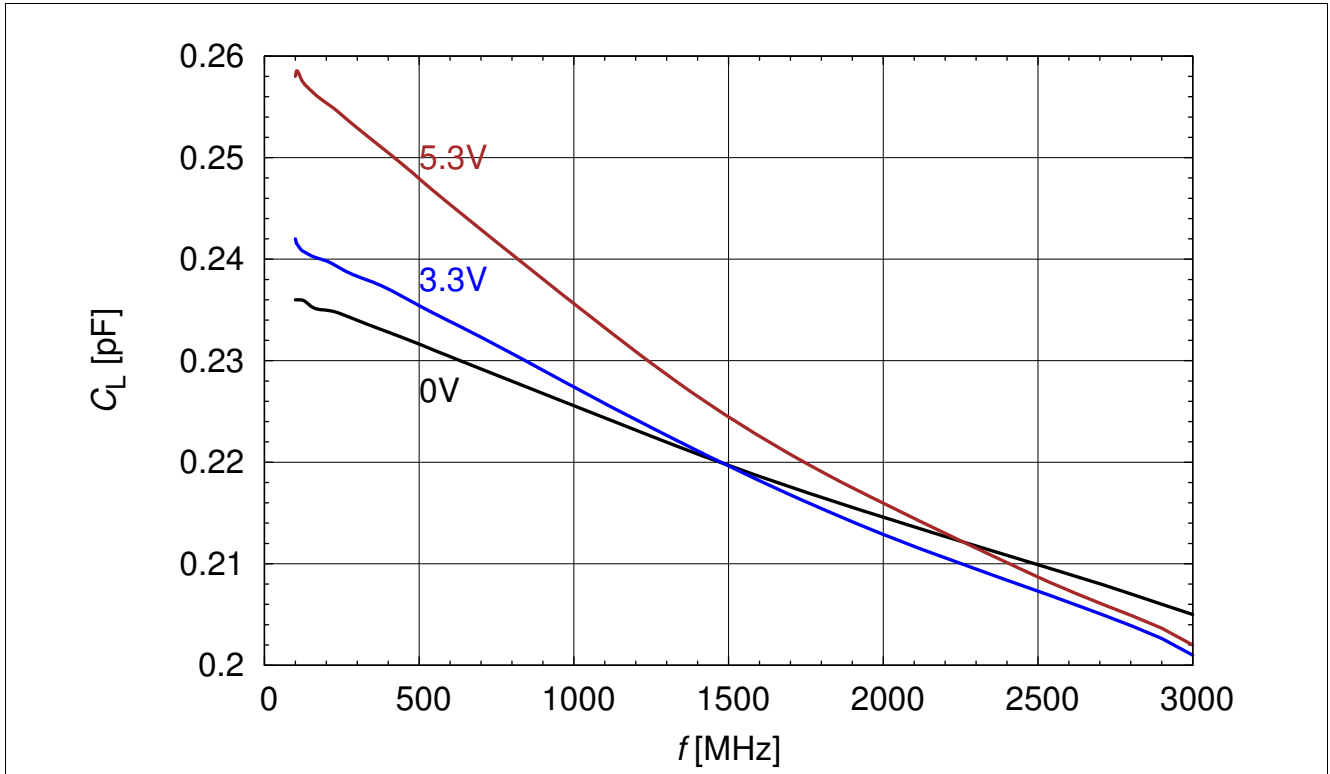


Figure 2-4 Line capacitance:  $C_L = f(f)$ ,  $V_R = \text{parameter}$

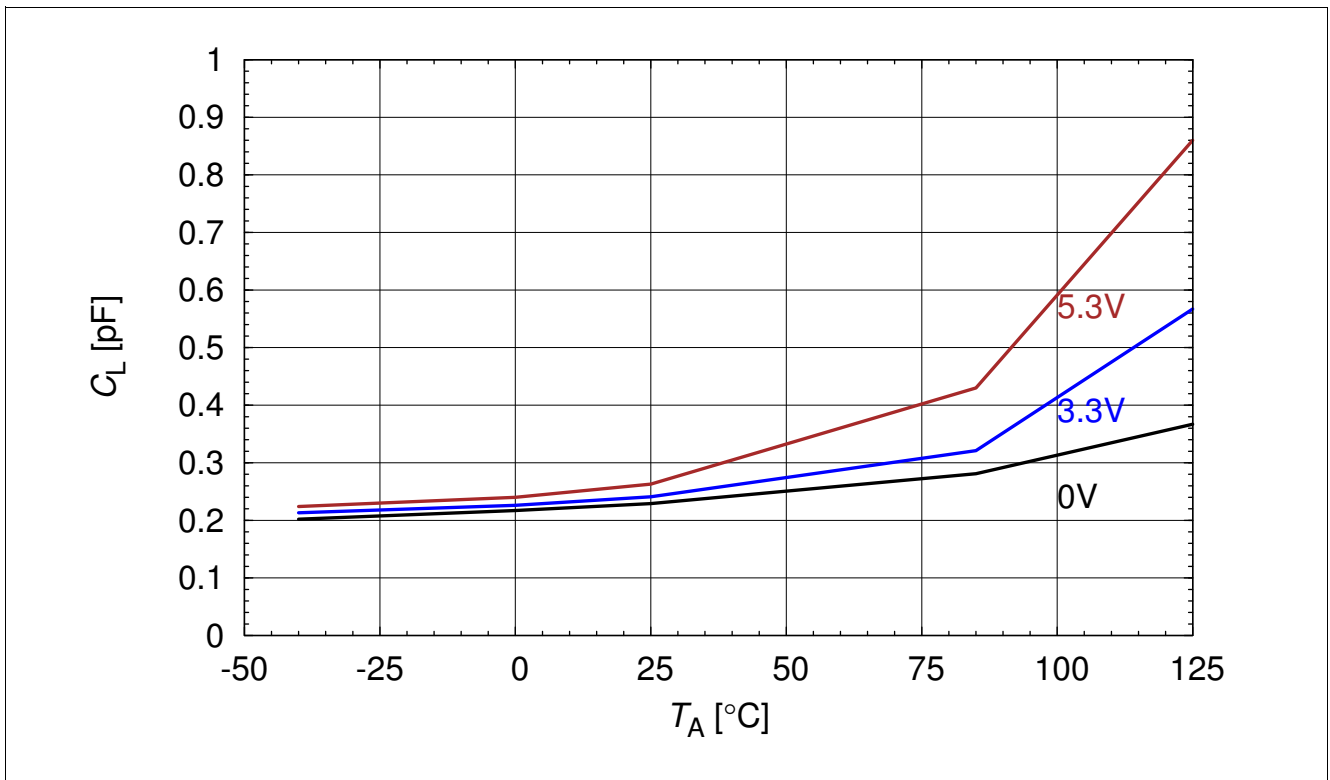


Figure 2-5 Line capacitance:  $C_L = f(T_A)$ ,  $V_R = \text{parameter}$

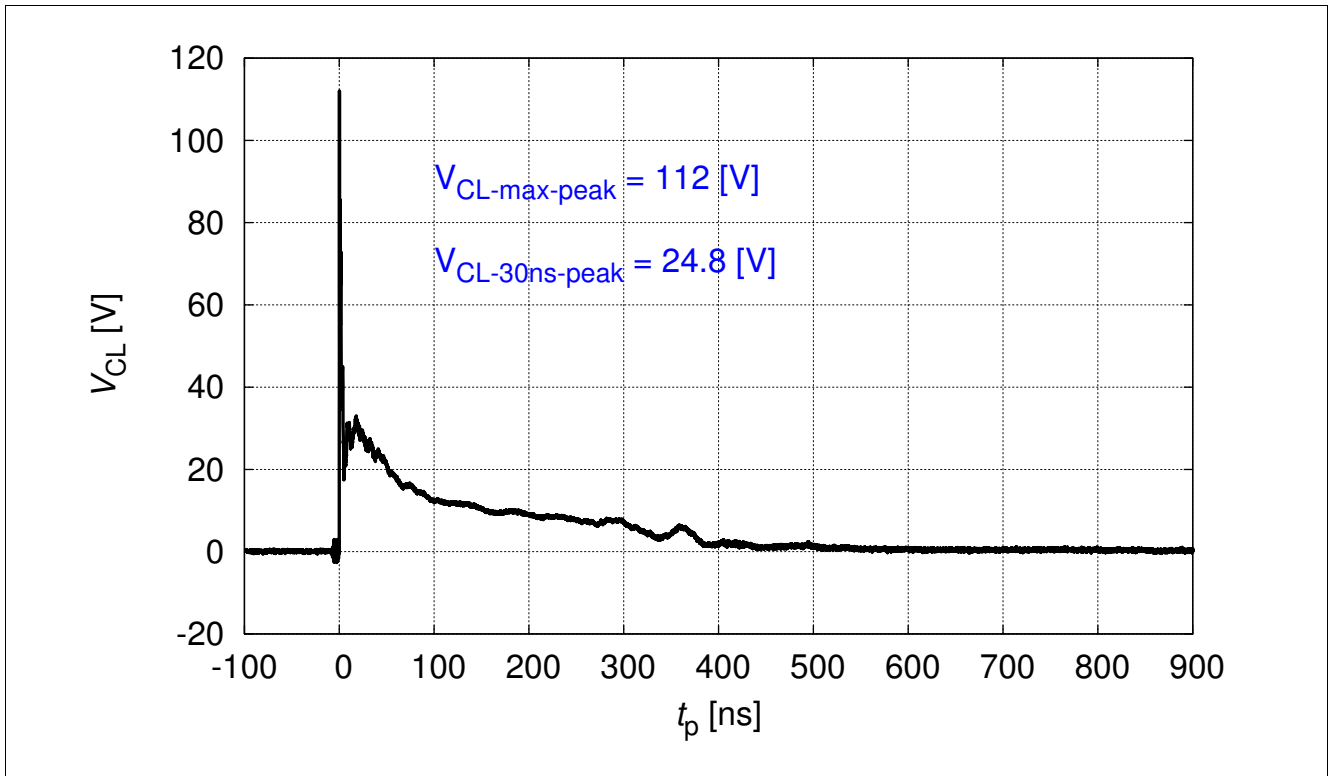


Figure 2-6 IEC61000-4-2  $V_{CL} = f(t)$ , 8 kV positiv pulse from pin 1 to pin 2

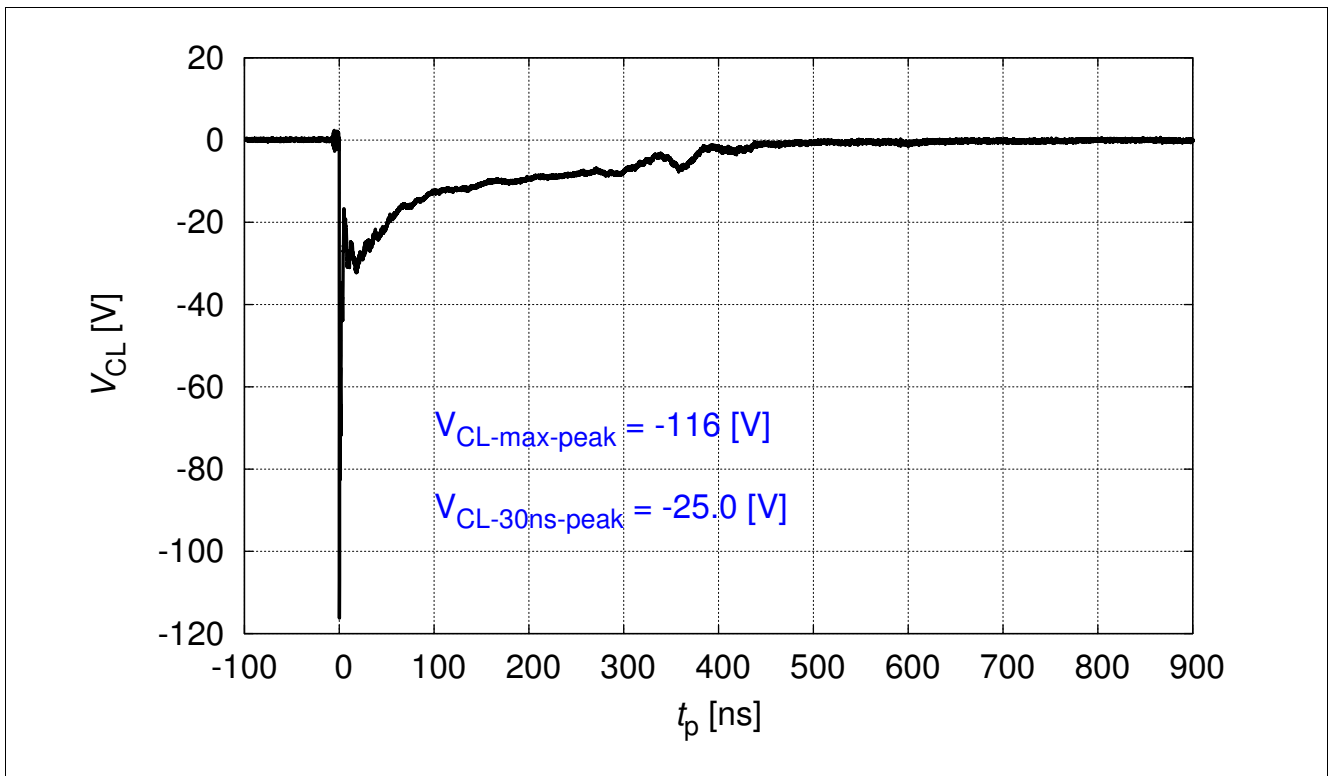


Figure 2-7 IEC61000-4-2  $V_{CL} = f(t)$ , 8 kV negativ pulse from pin 1 to pin 2



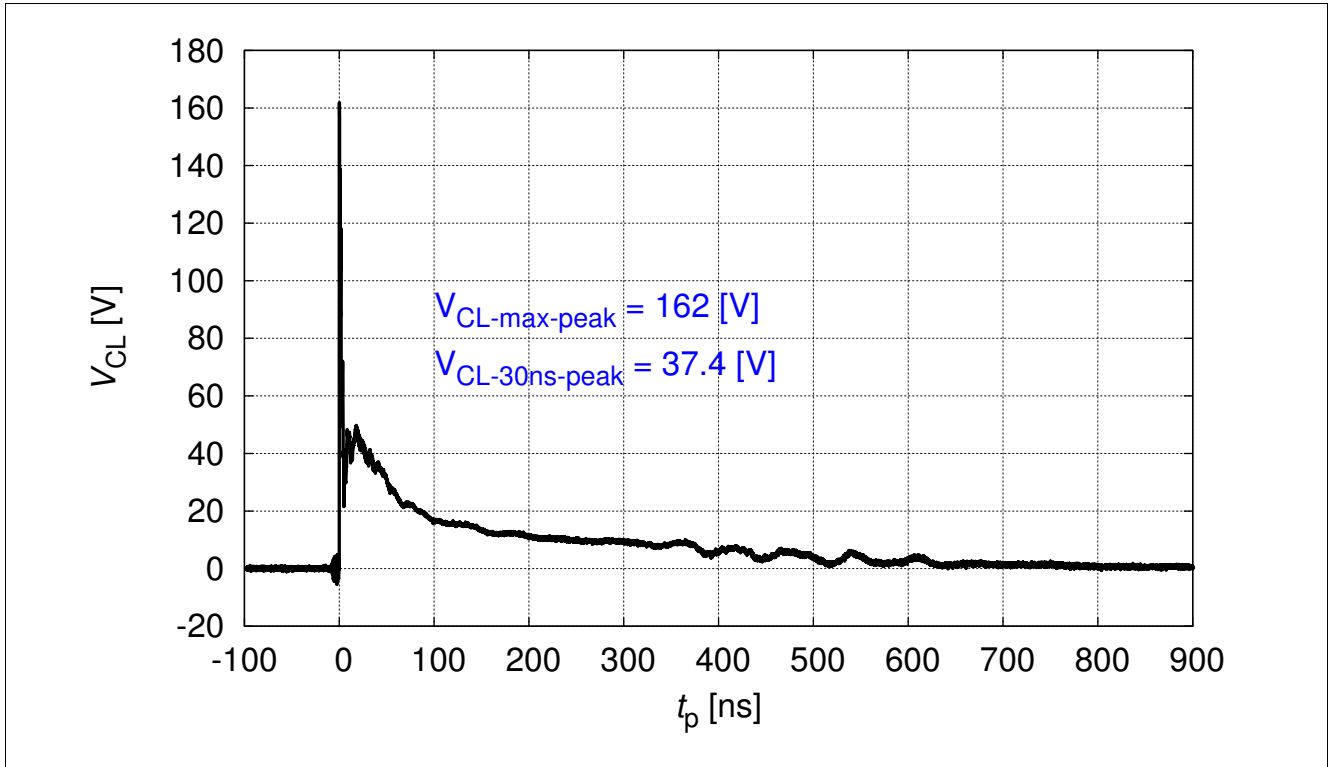


Figure 2-8 IEC61000-4-2  $V_{CL} = f(t)$ , 15 kV positiv pulse from pin 1 to pin 2

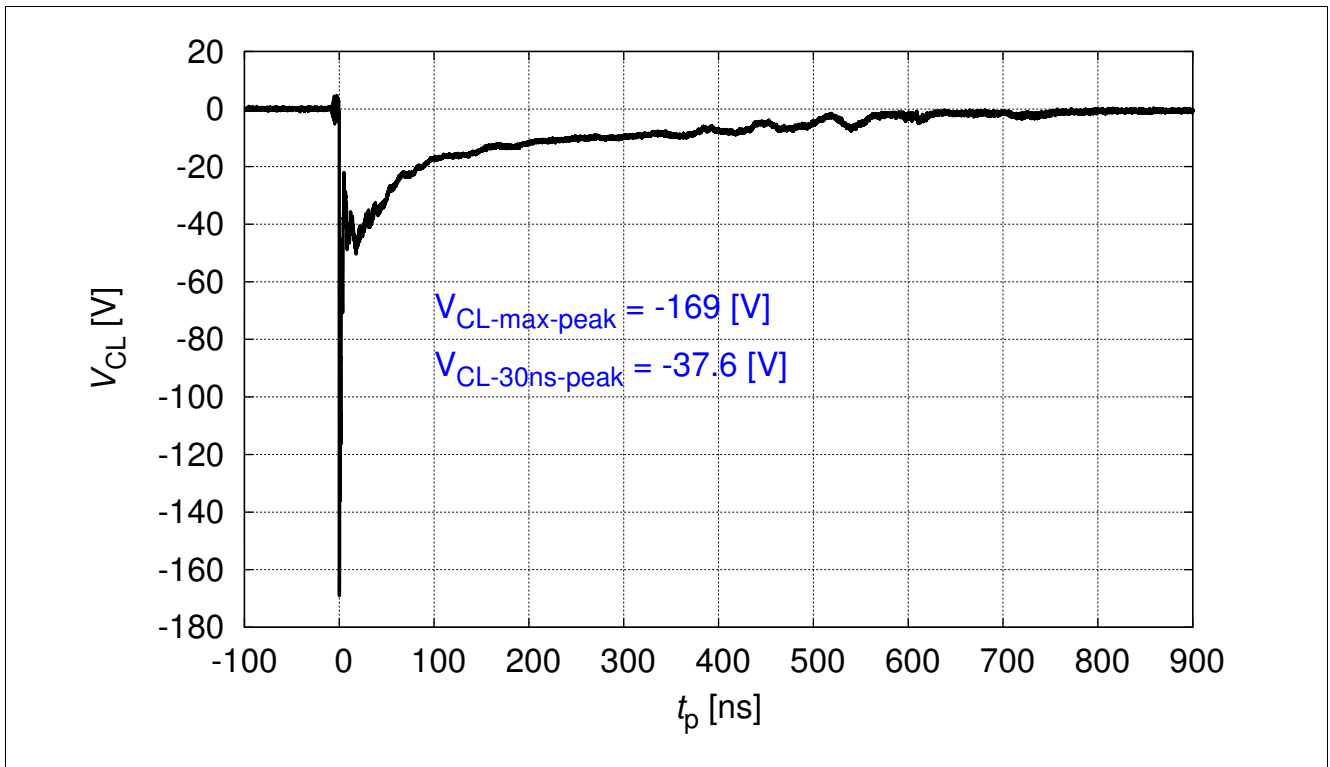


Figure 2-9 IEC61000-4-2  $V_{CL} = f(t)$ , 15 kV negativ pulse from pin 1 to pin 2

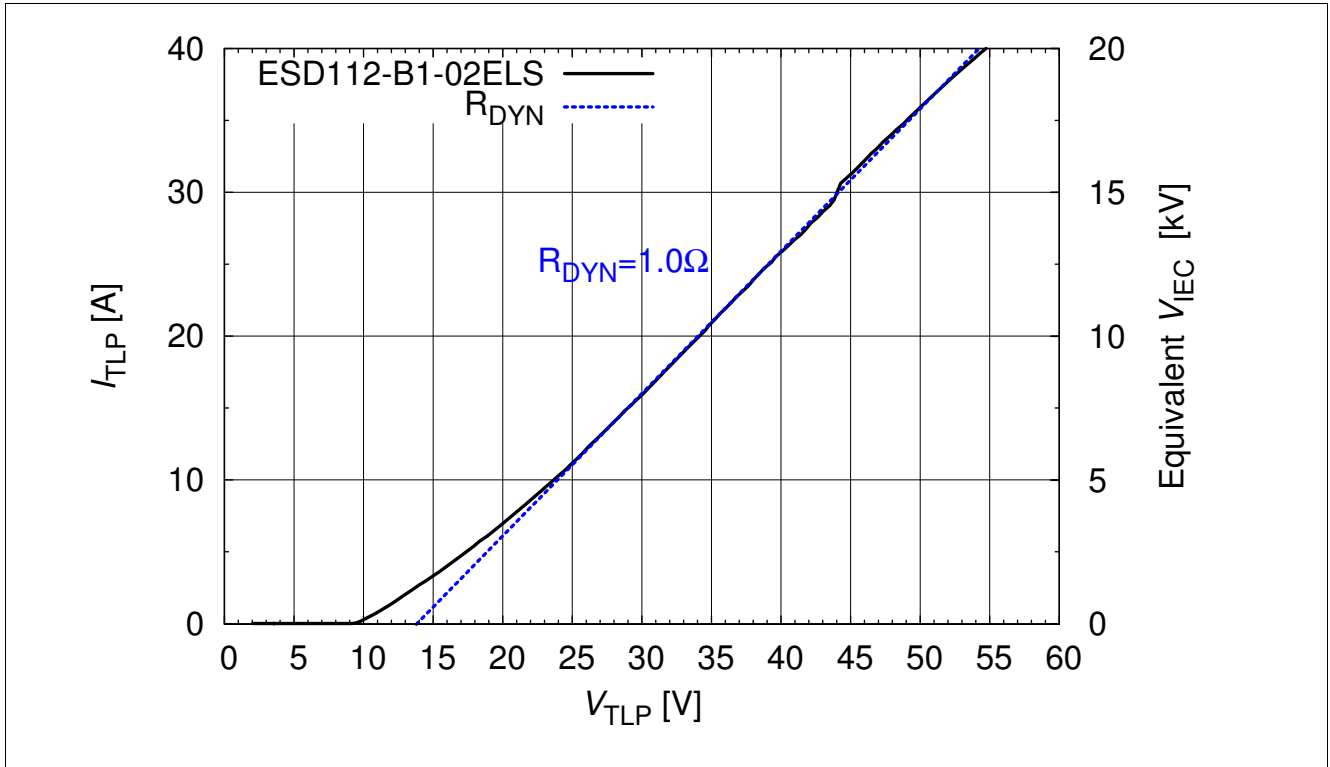


Figure 2-10 Clamping voltage :  $I_{TLP} = f(V_{TLP})$  [4]

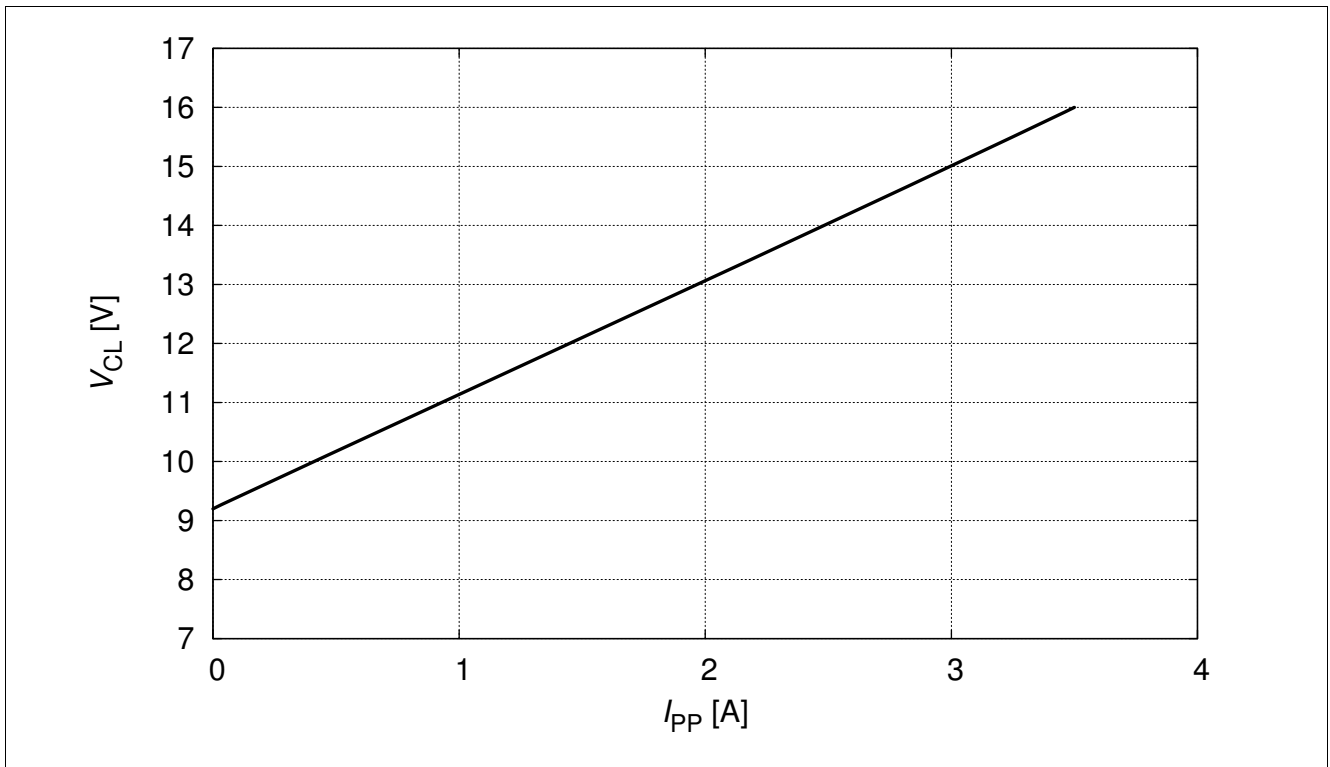


Figure 2-11 Clamp voltage:  $V_{CL} = f(I_{PP})$ ,  $t_p = 8/20 \mu s$

### 3 Application Information

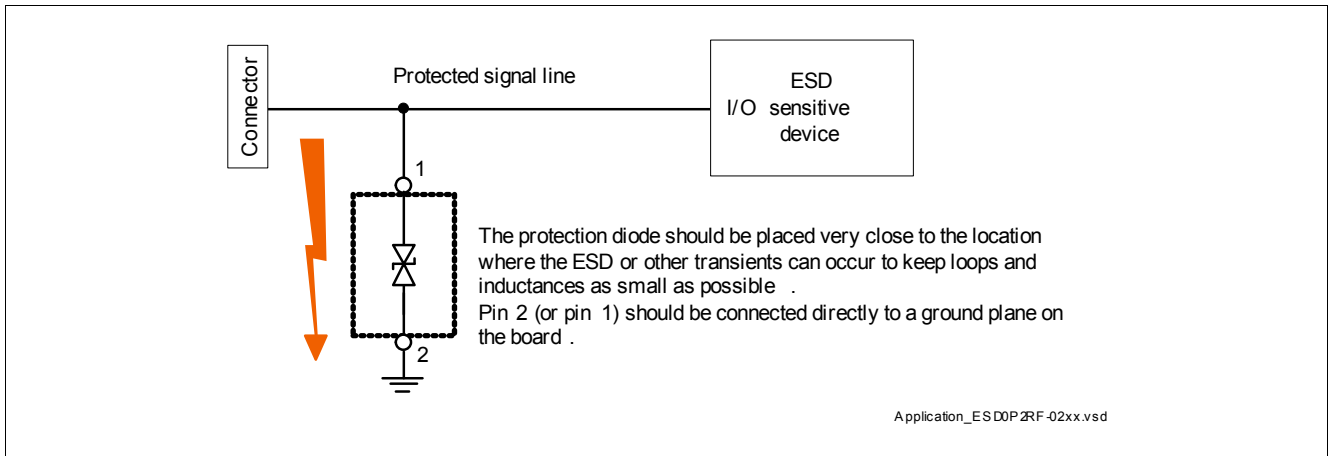


Figure 3-1 Single line, bi-directional ESD / Transient protection [1], [2]

## 4 Package Information

### 4.1 TSSLP-2-4 (mm) [5]

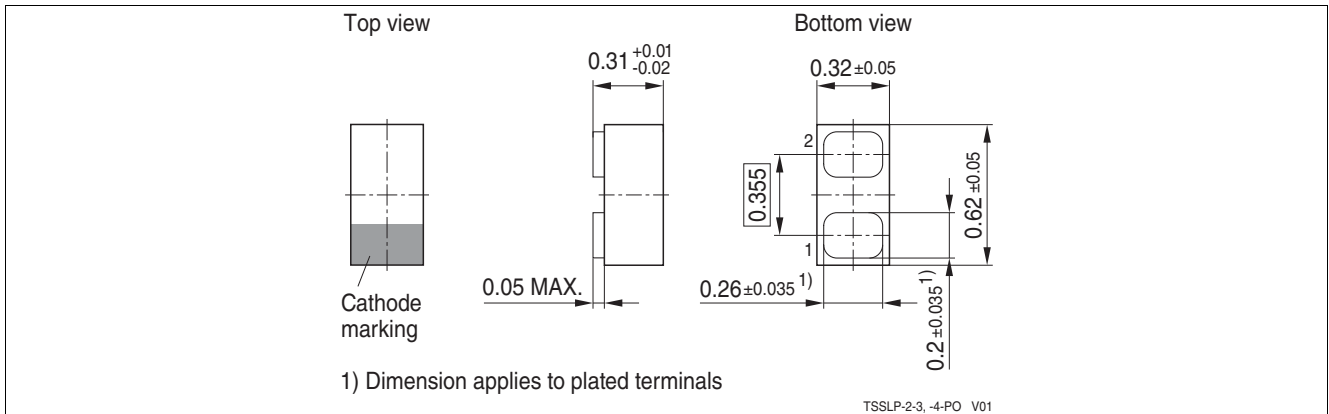


Figure 4-1 TSSLP-2-4 Package overview

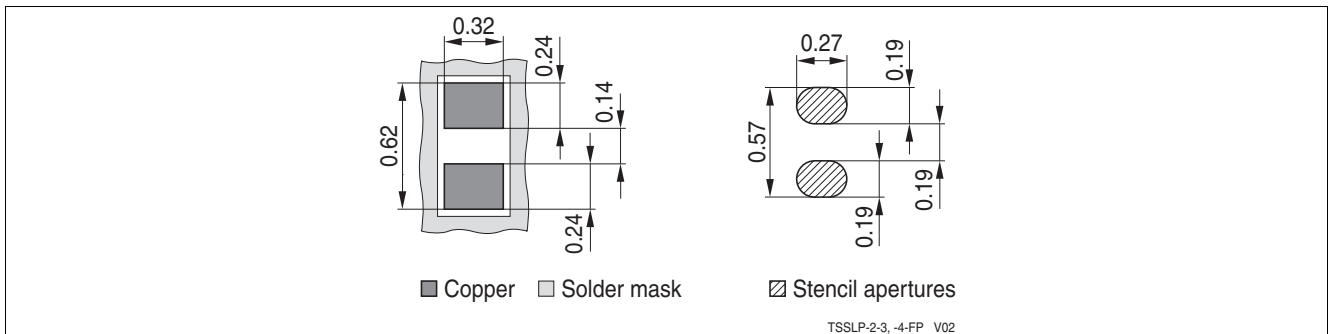


Figure 4-2 TSSLP-2-4: Footprint

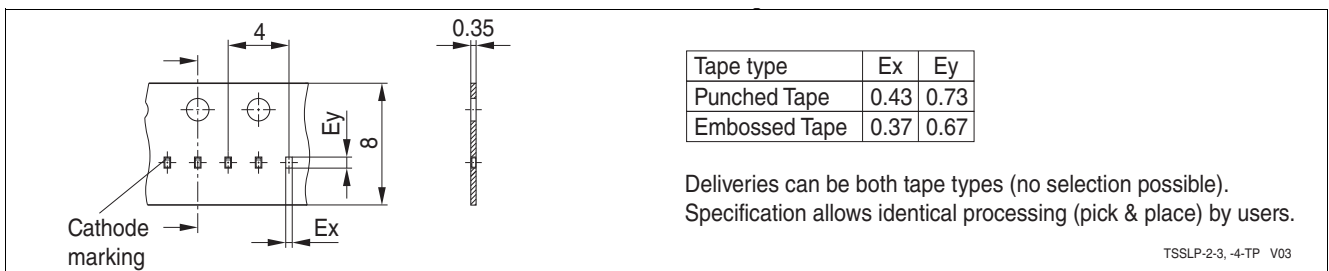


Figure 4-3 TSSLP-2-4: Packing

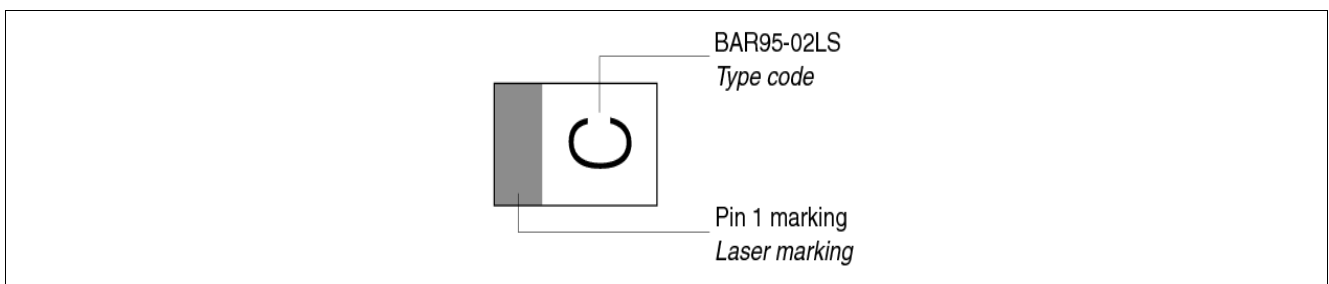


Figure 4-4 TSSLP-2-4: Marking (example)

4.2 TSLP-2-20 (mm) [5]

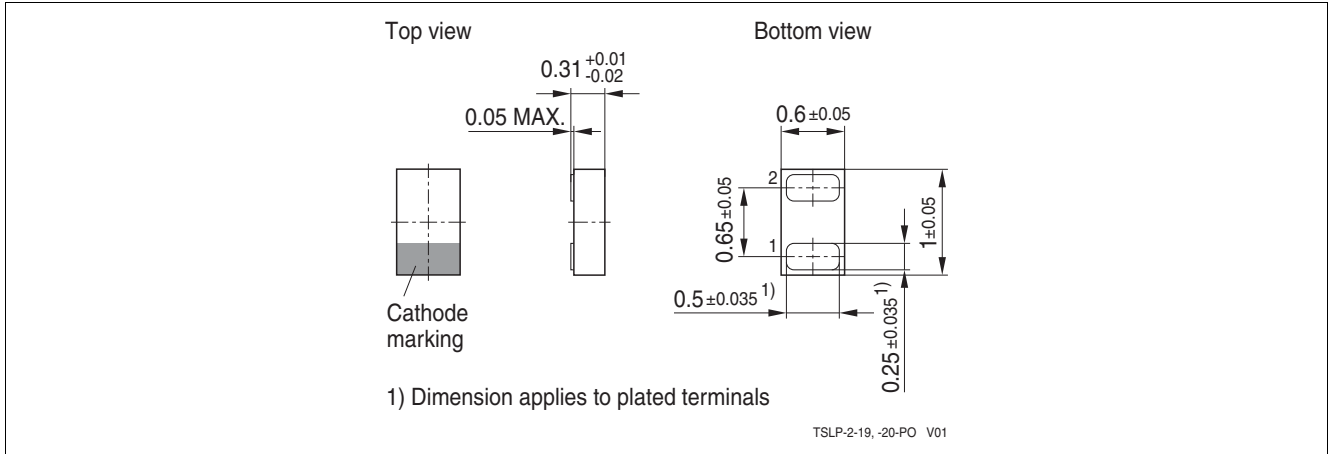


Figure 4-5 TSLP-2-20: Package overview

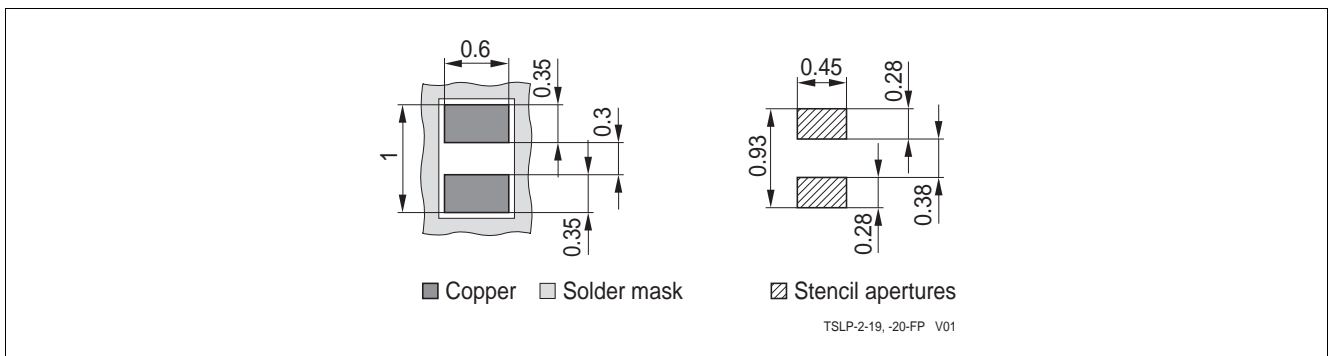


Figure 4-6 TSLP-2-20: Footprint

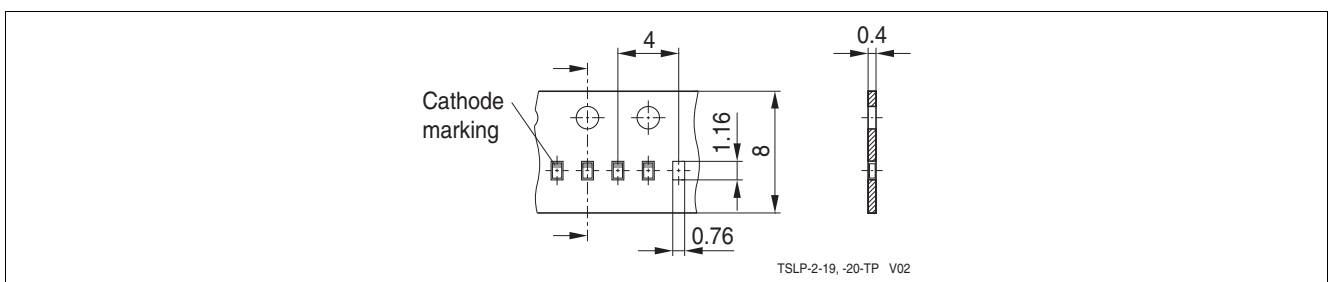


Figure 4-7 TSLP-2-20: Packing

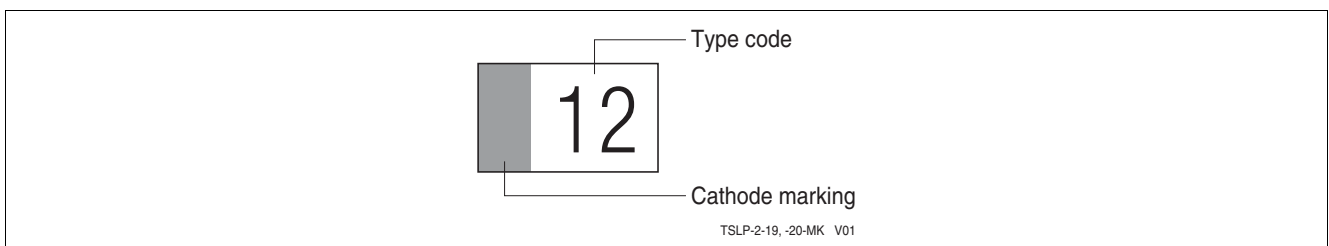


Figure 4-8 TSLP-2-20: Marking (example)

## References

- [1] Infineon AG - **Application Note AN167**: ESD Protection for Broadband LNA BGA728L7 for Portable and Mobile TV Applications
- [2] Infineon AG - **Application Note AN178**: ESD Protection for RF Antennas using Infineon ESD0P4RFL and ESD0P2RF-xx
- [3] Infineon AG - **Application Note AN200**: Low Cost FM Radio LNA using BFR340F for Mobile Phone Applications
- [4] Infineon AG - **Application Note AN210**: Effective ESD Protection Design at System Level using VF-TLP Characterization Methodology
- [5] Infineon AG - Recommendations for PCB Assembly of Infineon TSLP and TSSLP Packages

www.infineon.com

Published by Infineon Technologies AG

Downloaded From [Oneyac.com](https://www.oneyac.com)

单击下面可查看定价，库存，交付和生命周期等信息

[>>Infineon Technologies\(英飞凌\)](#)

[>>点击查看相关商品](#)